



### HD/1,280 x 960 H.264 Weather Proof Camera featuring Super Dynamic

#### Key Features


- 720p HD images up to 30 fps
- Newly developed 1.3 Megapixel double speed MOS Sensor
- Multiple H.264 (High profile) streams and JPEG streams ensure simultaneous real time monitoring and high resolution recording by "UniPhier<sup>®</sup>", Panasonic's proprietary System LSI platform.
- Full frame (Up to 30 fps) transmission at 1,280 x 960 image size
- 18x optical zoom with 12x digital zoom enabling 216x zoom. 36x extra optical zoom under VGA resolution with 12x digital zoom enabling 432x zoom.
- **Super Dynamic** and ABS (Adaptive Black Stretch) technologies deliver 128x wider dynamic range compared with conventional cameras.
- **Face Super Dynamic** technology ensures clear face image.
- H.264 and MPEG-4 are selectable for system migration.
- High sensitivity with Day/Night function : 0.5 lx (Color), 0.06 lx (B/W) at F1.6 (Wide)
- Adaptive Digital Noise Reduction: 2D-DNR and 3D-DNR integration ensures reduced noise and motion blur in various conditions.
- Superior color reproduction by primary (RGB) color filter
- Electronic sensitivity enhancement: Auto (Up to 16x) / OFF
- Selectable light control modes: Outdoor / Indoor / Fixed electronic shutter  
Outdoor / Indoor: Electronic shutter and ALC lens iris control are automatically controlled depending on the mode and luminance level.  
Fixed electronic shutter: Up to 1/10,000 fixed electronic shutter can be selectable.
- Panning with auto flip function can be performed 0 to 360 degrees.
- Auto tracking: The camera automatically pans and tilts to follow a moving subject and keep it in the center of the image.
- PTZ control can be taken on the user friendly GUI with 16 speeds pan/tilt and new "Drag and Zoom" operation enabling finer control. 256 speeds available for system with WV-CU950 system controller.
- Up to 64 preset positions
- 360 map shot: 8 thumbnail images at 45 deg. intervals make it simple to direct the camera easily by clicking on a thumbnail.
- Industrial grade Pan/Tilt/Zoom mechanism for high reliability
- VMD (Video Motion Detector) with 4 programmable detection areas, 15 steps sensitivity level and 10 steps detection size
- Face detection function detects the position of human face and the information is sent by XML or video stream.
- Meta data for VMD is supplied to work with the WJ-ND400 playback VMD function.
- Privacy Zone can mask up to 8 private areas, such as house windows and entrances/exits.
- Alarm sources including 3 terminal input, VMD and Panasonic alarm command can trigger actions such as SDHC/SD memory recording, FTP image transfer, E-mail notification, Indication on browser, Alarm terminal output, and Panasonic protocol output.

- Full duplex bi-directional audio allows interactive communication between camera site and monitoring site.
- JPEG image compression ratio can be changed by alarm so that higher quality image can be provided.
- Prioritized stream control: One of the video streams can be prioritized when multiple recorders or client PCs are accessing the camera so that the recorder or the client PC can maintain the frame rate.
- SDHC/SD Memory card slot for manual recording (H.264 / JPEG), alarm recording (H.264 / JPEG) and backup upon network failure (JPEG)
- H.264/MPEG-4 max. bit rate/client and Total bit rate control allows flexible network traffic management. Frame rate priority mode controls bit rate and compression ratio to provide the specified frame rate.
- Multi-language GUI and setup menu: English, French, Italian, Spanish, German, Russian (PAL) / English, French (NTSC) \* Installation required except for English
- IPv4/IPv6 protocol supported
- Analog Monitor output for easier installation
- Supports SSL, DDNS (viewnetcam, RFC2136)
- Still images (JPEG) can be viewed on mobile phones via Internet.
- ONVIF compliant model
- Supports Power over Ethernet Plus (PoE+) IEEE 802.3at  
\* Does not support IEEE802.3af
- IP66 rated water and dust resistant. Compatible with IEC60529 measurement standard.
- Dehumidification device for use in various weather conditions
- Built-in fan/heater/sun shield for temperature changes of -40 °C ~ +50 °C (-40 °F ~ +122 °F) (24 V AC), -30 °C ~ +50 °C (-22 °F ~ 122 °F) (PoE+)

#### Standard Accessories

- |                                 |   |
|---------------------------------|---|
| • CD-ROM*1..... 1 pc.           | • Front/Rear Sun Shield Fixing Screws..... 2 pcs. (incl. 1 spare) |
| • Installation Guide..... 1 pc. | • Code Label*2..... 1 pc.   |
- The followings are for installation.
- |  |  |
|--|--|
| • 8P Alarm Cable..... 1 pc.            | *1 The CD-ROM contains the operating instructions (PDFs) and different kinds of tool software programs.      |
| • Connector Kit for 24 V AC..... 1 pc. | *2 This label may be required for network management. The network administrator shall retain the code label. |
| • Front/Rear Sun Shield..... 1 set     |  |

#### Optional Accessory

- |   |   |
|---|---|
| <p>Wall Mount Bracket<br/><b>WV-Q122</b><br/>(PAL model only)</p>  | <ul style="list-style-type: none"> <li>• User License Accessory (For MPEG-4)<br/>BB-HCA5A (NTSC model)<br/>BB-HCA5CE (PAL model, Korea)*</li> <li>• User License Accessory (For H.264)<br/>BB-HCA8A (NTSC model)<br/>BB-HCA8CE (PAL model, Korea)*</li> </ul> |
|---|---|

\* This catalog is provided for all over the world. Some accessories may not be available in some countries.

\* Required in Korea.

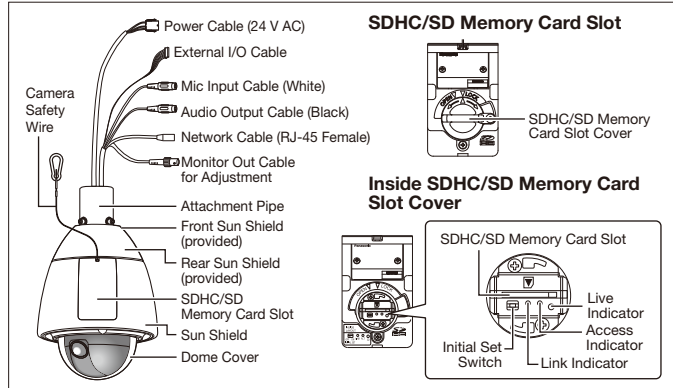
# Specifications

TV System	NTSC	PAL
<b>Camera</b>	1/3 type MOS Sensor Effective Pixels Approx. 1.3 megapixel Scanning Mode Progressive scan Scanning Area 4.8 mm (H) x 3.6 mm (V) Minimum Illumination Color: 0.5 lx, B/W: 0.06 lx at F1.6 (Shutter: 1/30 s, AGC: High), Color: 0.031 lx, B/W: 0.004 lx at F1.6 (Shutter: 16/30 s, AGC: High) White Balance AWC (2,000 - 10,000 K), ATW1 (2,700 - 6,000 K), ATW2 (2,000 - 6,000 K) Light Control Mode Indoor scene (50 Hz / 60 Hz) / Outdoor scene / Fix shutter Shutter Speed Fix shutter: OFF (1/30), 3/100, 3/120, 2/100, 2/120, 1/100, 1/120, 1/250, 1/500, 1/1,000, 1/2,000, 1/4,000, 1/10,000 Super Dynamic ON / OFF Face Super Dynamic ON / OFF (Only at Super Dynamic: ON) Dynamic Range 52 dB typical (Super Dynamic: ON, Light Control mode: Indoor) Adaptive Black Stretch ON / OFF AGC ON (LOW, MID, HIGH) / OFF Electronic Sensitivity UP Mode: AUTO1 / AUTO2 / AUTO3 / ON / OFF, Level: High / Low, with external control Digital Noise Reduction High / Low Video Motion Detection 4 areas, Sensitivity: 15 steps, Detection size: 10 steps Privacy Zone Up to 8 zones, Gray / Mosaic Auto Image Stabilizer ON / OFF Camera Title (OSD) Up to 20 alphanumeric characters (3 selectable character sizes) Focal Length 4.7 mm - 84.6 mm Zoom Ratio 18x / 36x with extra optical zoom (under VGA) Digital (Electronic) Zoom 12x (Max. 432x combined with extra optical zoom under VGA) Angular Field of View H: 3.2° (Tele) - 55.2° (Wide), V: 2.4° (Tele) - 42.1° (Wide) Maximum Aperture Ratio 1 : 1.6 (Wide) - 4.6 (Tele) Focusing Range 1.5 m - ∞ Aperture Range F1.6 - 22, Close Panning Range 0° - 350° (With Pan-Flip: 0° - 360°) Panning Speed Manual: approx. 0.5°/s - 100°/s, Up to 256 steps (depending on the controller) Preset: up to approx. 300°/s Tilting Range -30° - 90° (upward-level-downward) (With Tilt-Flip: -30° - 210°) Tilting angle limit: 10° / 5° / 3° / 0° / -3° / -5° / -10° / -15° / -20° *4 / -25° *4 / -30° *4 Tilting Speed Manual: approx. 0.5°/s - 100°/s, Up to 256 steps (depending on the controller) Preset: up to approx. 100°/s Proportional Pan/Tilt Control Yes Number of Preset Positions 64 Auto Mode OFF / preset sequence / auto pan / auto track Image Hold ON / OFF PTZ Position Display ON / OFF Self Return 10 s / 20 s / 30 s / 1 min / 2 min / 3 min / 5 min / 10 min / 20 min / 30 min / 60 min Pan/tilt Flip *1 ON / OFF Map Shot 360° map shot / preset map shot Camera Control Pan/Tilt (16 steps), Zoom, Focus, Click centering, Drag zoom, Iris, Preset position call and program, Auto mode Display Mode Spot, Quad: Image from 16 cameras can be displayed in 4 different Quad screens or 16 split screen (JPEG only). 20 characters camera title available. Camera Title Up to 20 alphanumeric characters Clock Display Time: 12H / 24H, Date: 5 formats on the browser, Summer time (Manual/AUTO) Alarm Control Reset One Shot Capture A still picture will be displayed on a newly opened window. Audio Mic (Line) Input: ON / OFF Volume adjustment: Low / Middle / High, Audio Output: ON / OFF Volume adjustment: Low / Middle / High SD Memory Data Download Still or motion images recorded in the SDHC/SD memory card can be downloaded. GUI/Setup Menu Language English, French (Installation required for French) English, French, Italian, Spanish, German, Russian (Installation required except for English) System Log Up to 100 (Internal), Up to 4,000 (SDHC/SD memory when the recording format is set to JPEG.) error logs Supported OS Microsoft® Windows® 7 Professional 64 bit/32 bit, Microsoft® Windows Vista® Business SP1 32 bit, Microsoft® Windows® XP Professional SP3 The language of the OS must be same as selected GUI language. Supported Browser Windows® Internet Explorer® 8.0 (Microsoft® Windows® 7 Professional 64 bit/32 bit), Windows® Internet Explorer® 7.0 (Microsoft® Windows Vista® Business SP1 32 bit), Microsoft® Internet Explorer® 6.0 SP3 (Microsoft® Windows® XP Professional SP3)	
<b>Lens</b>	10Base-T / 100Base-TX, RJ-45 connector Image Aspect ratio: H.264: 1,280 x 960 / 800 x 600 / VGA (640 x 480) / QVGA (320 x 240), up to 30 fps Resolution [4 : 3] MPEG-4: VGA (640 x 480) / QVGA (320 x 240), up to 30 fps *2 *3 JPEG (MJPEG): 1,280 x 960 / 800 x 600 / VGA (640 x 480) / QVGA (320 x 240), up to 30 fps Aspect ratio: H.264: 1,280 x 720 / 640 x 360 / 320 x 180, up to 30 fps [16 : 9] JPEG (MJPEG): 1,280 x 720 / 640 x 360 / 320 x 180, up to 30 fps H.264/ Transmission Mode Constant bitrate / Framerate priority / Best effort MPEG-4 Frame Rate 1 / 3 / 5 / 7.5 / 10 / 15 / 20 / 30 fps 1 / 3 / 5 / 7.5 / 10 / 12 / 15 / 20 / 30 fps *2 Bit Rate/Client 64 / 128 / 256 / 384 / 512 / 768 / 1,024 / 1,536 / 2,048 / 3,072 / 4,096 / 8,192 kbps / Unlimited * H.264 mode only Image Quality LOW / NORMAL / FINE Refresh Interval 0.2 s / 0.25 s / 0.33 s / 0.5 s / 1 s / 2 s / 3 s / 4 s / 5 s Transmission Type UNICAST / MULTICAST JPEG Image Quality 10 steps (MJPEG) Transmission Type PULL / PUSH Audio Compression G.726 (ADPCM) 32 kbps / 16 kbps, G.711 64 kbps Audio Mode OFF / Mic (Line) input / Audio output / Interactive (Half duplex) / Interactive (Full duplex) Authentication for Audio Level 1 only / Level 2 higher / All users Total Bit Rate 64 / 128 / 256 / 384 / 512 / 768 / 1,024 / 2,048 / 4,096 / 8,192 kbps / Unlimited Supported Protocol IPv6: TCP/IP, UDP/IP, HTTP, HTTPS, RTP, FTP, SMTP, DNS, NTP, SNMP, DHCPv6 IPv4: TCP/IP, UDP/IP, HTTP, HTTPS, RTSP, RTP, RTSP/RTCP, FTP, SMTP, DHCP, DNS, DDNS, NTP, SNMP, UPnP	

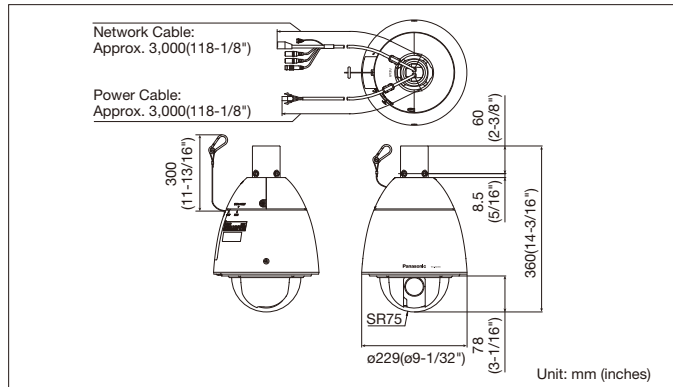
TV System	NTSC	PAL
<b>Network</b>	Alarm image transfer, Periodic image transfer (When the FTP periodic transmission is failed, backup on an optional SDHC/SD memory card is available.) Up to 14 users (Depends on network conditions) No. of Simultaneous Users SDHC/SD Memory Card (Option) H.264 recording: Manual REC / Alarm REC (Pre/Post) / Schedule REC JPEG recording: Manual REC / Alarm REC (Post) / Backup upon network failure Compatible SD (SDHC) card: Panasonic 256 MB, 512 MB, 1 GB, 2 GB, 4 GB*, 8 GB*, 16 GB*, 32 GB* model * SDHC card Face Detection ON / OFF (with XML notification) Cellular Phone Compatibility JPEG image, panning/tilting/zoom control, AUX control (by access level) Alarm Source 3x Terminal inputs, VMD, Command alarm Alarm Actions SD memory recording, E-mail notification, Indication on browser, Camera positioning, Preset position 1 - 64, FTP image transfer, Terminal output, Panasonic protocol output, Auto track Alarm Log With SD memory card: 5,000 logs, Without SD memory card: 1,000 logs Schedule Alarm/VMD/Access permission, Preset position call, Position refresh, H.264 recording	
<b>Input / Output</b>	Monitor Output 1.0 V [P-P] / 75 Ω, NTSC composite, 1.0 V [P-P] / 75 Ω, PAL composite, BNC Microphone/Line Input MIC IN and Line IN are selectable. ø3.5 mm monoaural mini jack (Applicable microphone: Plug-in power type), Supply voltage: 2.5 V ±0.5 V, Input impedance: approx. 2 kΩ Audio Output ø3.5 mm stereo mini jack (monoaural output) Line level External I/O Terminals ALARM IN 1 / DAY/NIGHT IN, ALARM IN 2 / ALARM OUT, ALARM IN 3 / AUX OUT (x1 each)	
<b>General</b>	Safety/EMC Standard UL (UL60065), FCC (Part15 ClassA), C-UL (CAN/CSA C22.2 No.60065), DOC (ICES003 ClassA) CE (EN60065, EN55022 ClassB, EN55024), GOST (GOST R 51558) Power Source/Consumption 24 V AC (50 Hz / 60 Hz): approx. 43 W Heater ON PoE Plus: approx. 24.0 W (IEEE802.3at compliant, Class 4 device) Heater ON Ambient Operating -40 °C - +50 °C (-40 °F - 122 °F) (24 V AC) *5, Temperature/Humidity -30 °C - +50 °C (-22 °F - 122 °F) (PoE Plus), 90 % or less (without condensation) Water and Dust Resistance IP66, IEC60529 measuring standard compatible Dimensions ø239 mm x 365.5 mm (H) (ø9-7/16" x 14-3/16") (H), Diameter of the dome: 160 mm (6-5/16") Mass (approx.) 4.6 kg (10.14 lbs.)	

\*1 Application software V.1.05 / Driver software V.1.22 or later. The pan/tilt-flip function cannot be activated by clicking live images. When the zoom ratio is adjusted to the "TELE" side, images will be partially hidden even if the pan/tilt-flip function is activated. \*2 H.264 and MPEG-4 are alternative. \*3 [4 : 3] and [16 : 9] are alternative. \*4 Images may partially covered depending on the housing brackets. \*5 When used with a continuous power supply (camera internal temperature must be above -10°C, and installation and startup should be done at above -30°C.)

## Part Names and Functions



## Appearance



### Trademarks and registered trademarks

- Microsoft, and Windows are registered trademarks of Microsoft Corporation in the U.S. and other countries.
- UniPhier is a registered trademark of Panasonic Corporation.
- "Super Dynamic", "SDII", "SDIII", "SD5", "SD5Link", "i-PRO" and "i-PRO SmartHD" logos are trademarks or registered trademarks of Panasonic Corporation.
- ONVIF and the ONVIF logo are trademarks of ONVIF Inc.

### Important

- Safety Precaution: carefully read the operating instructions and installation manual before using this product.
- Panasonic can not be responsible for network performance and/or other manufacturer products that reside on the network.

• All TV pictures are simulated. • Masses and dimensions are approximate. • Specifications are subject to change without notice. • These products may be subject to export control regulations. • All product pictures are NTSC models.

DISTRIBUTED BY:

**Panasonic**

<http://panasonic.net/security/>

Printed in Japan (2A-065DL)