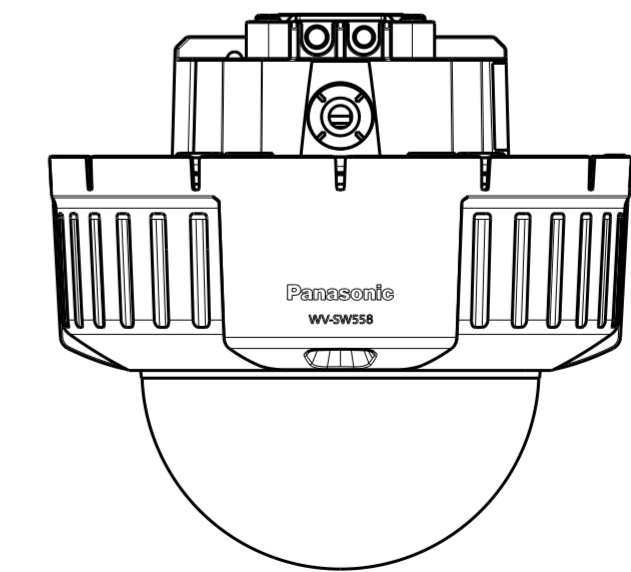
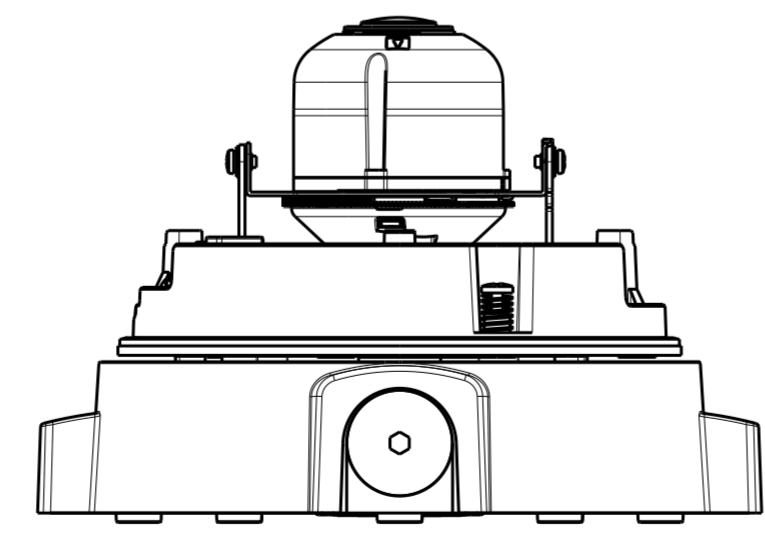
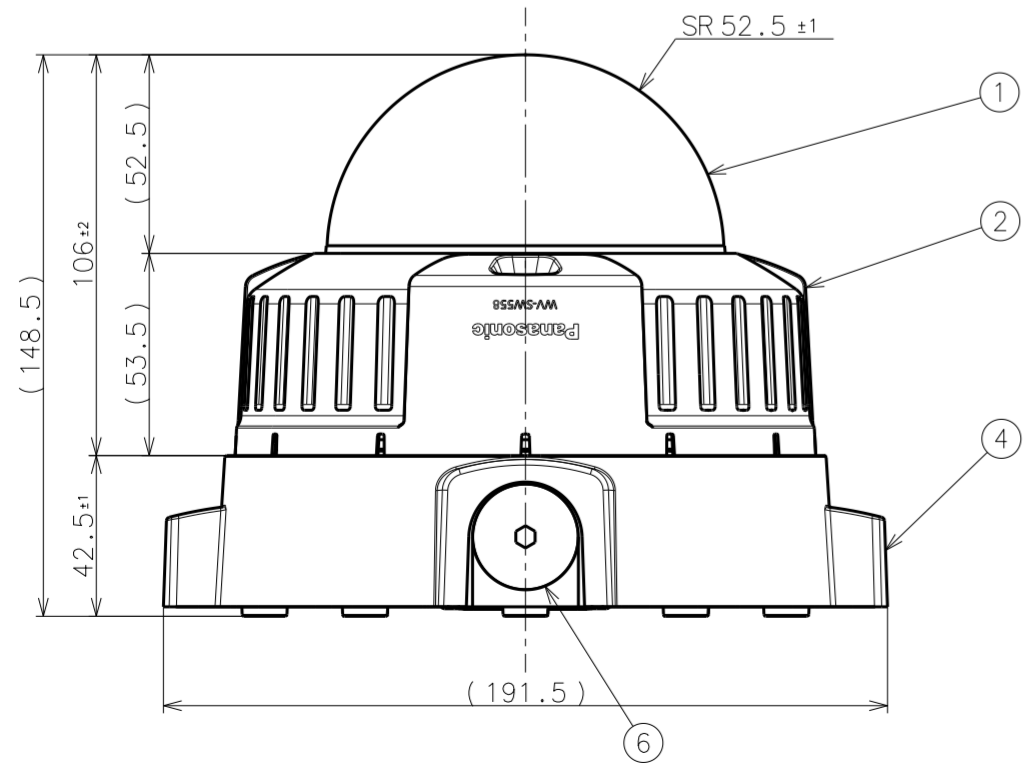
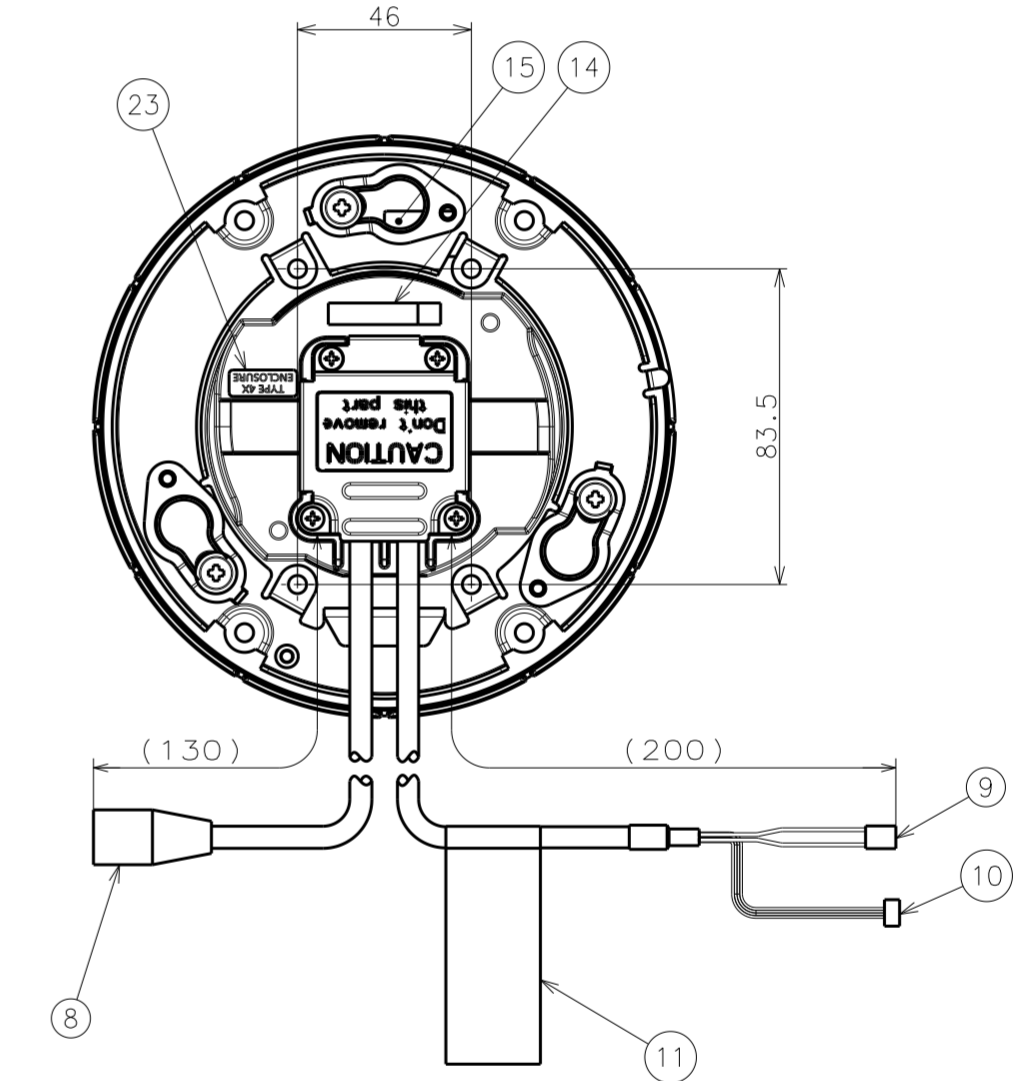
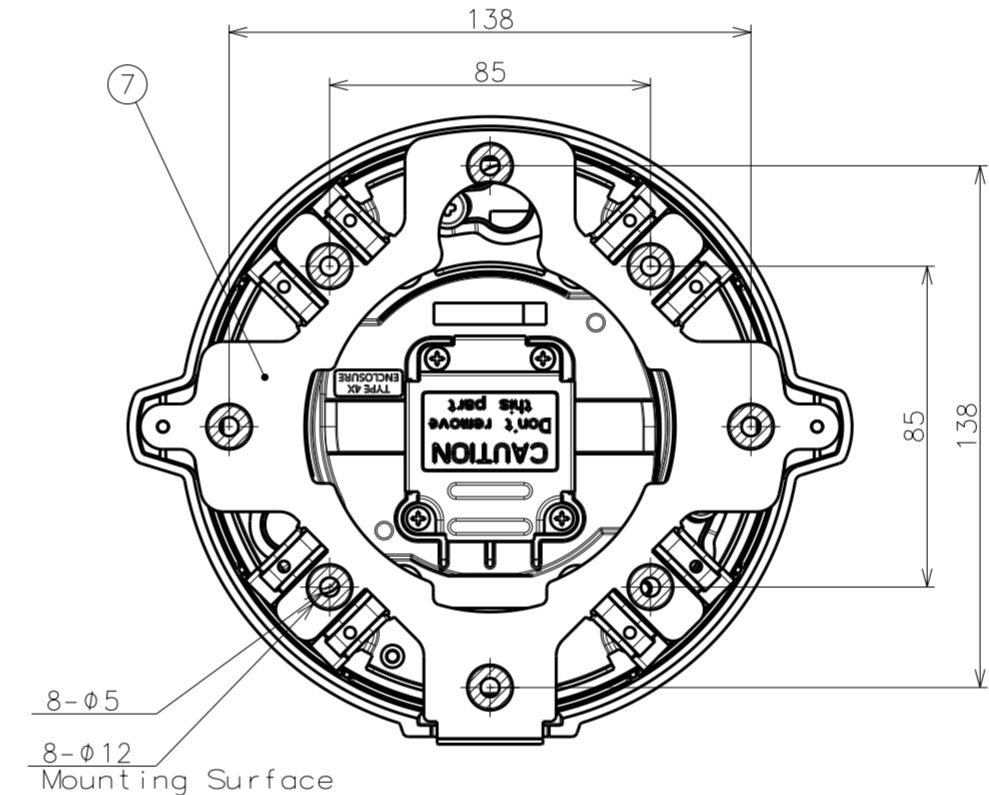
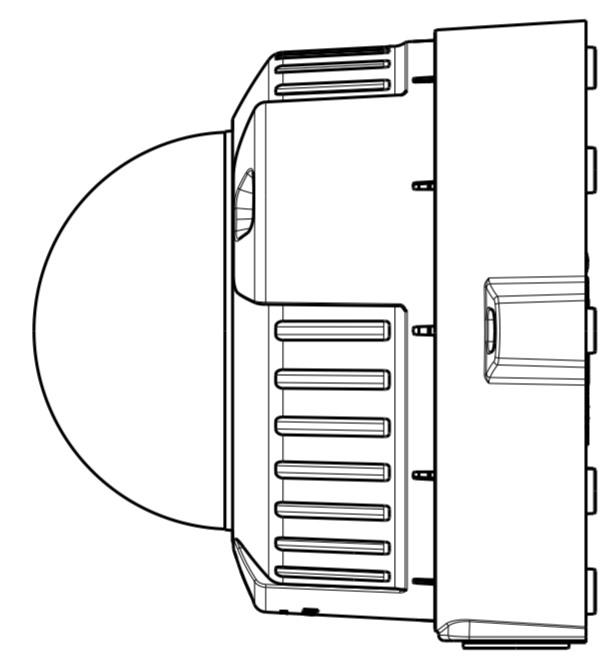
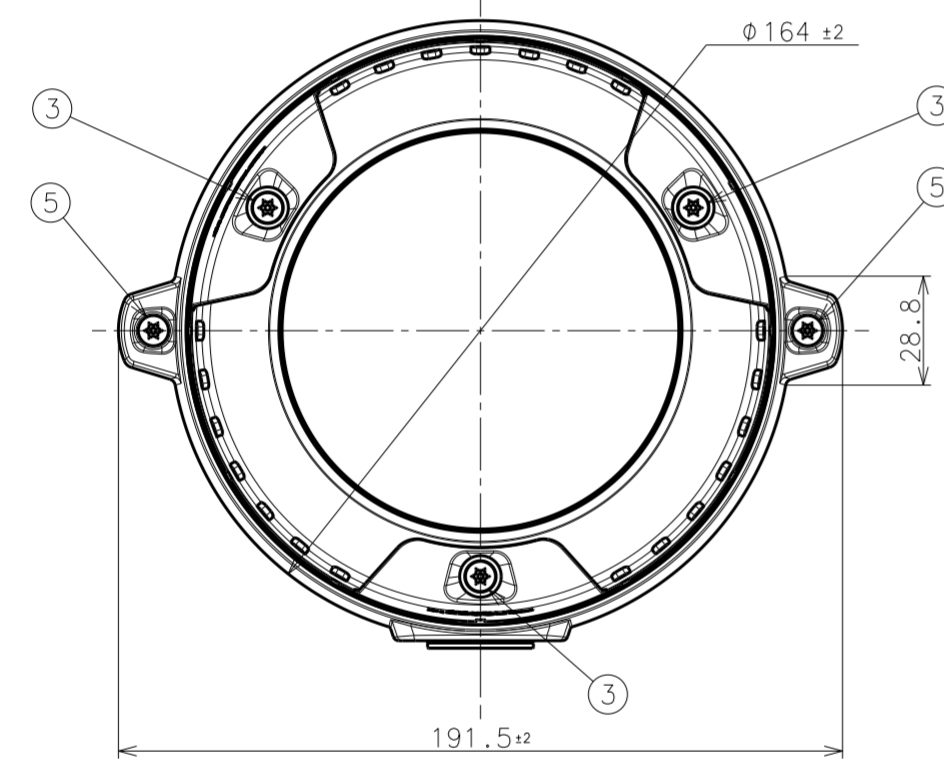
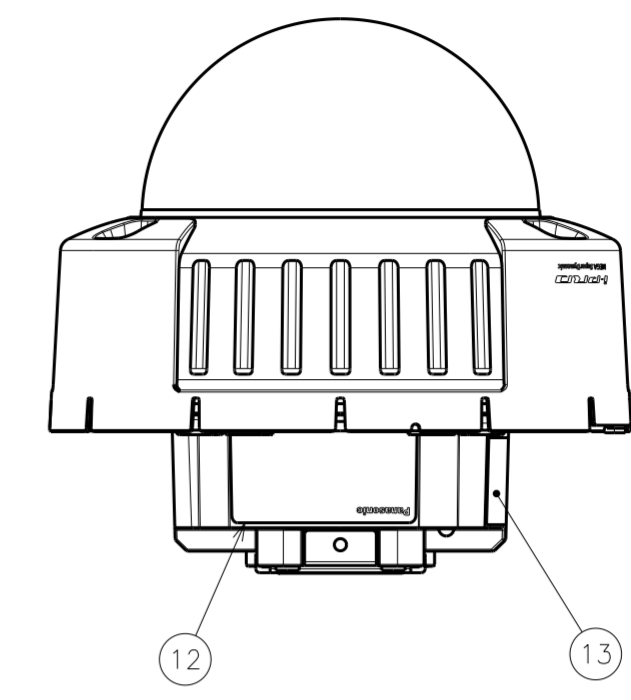
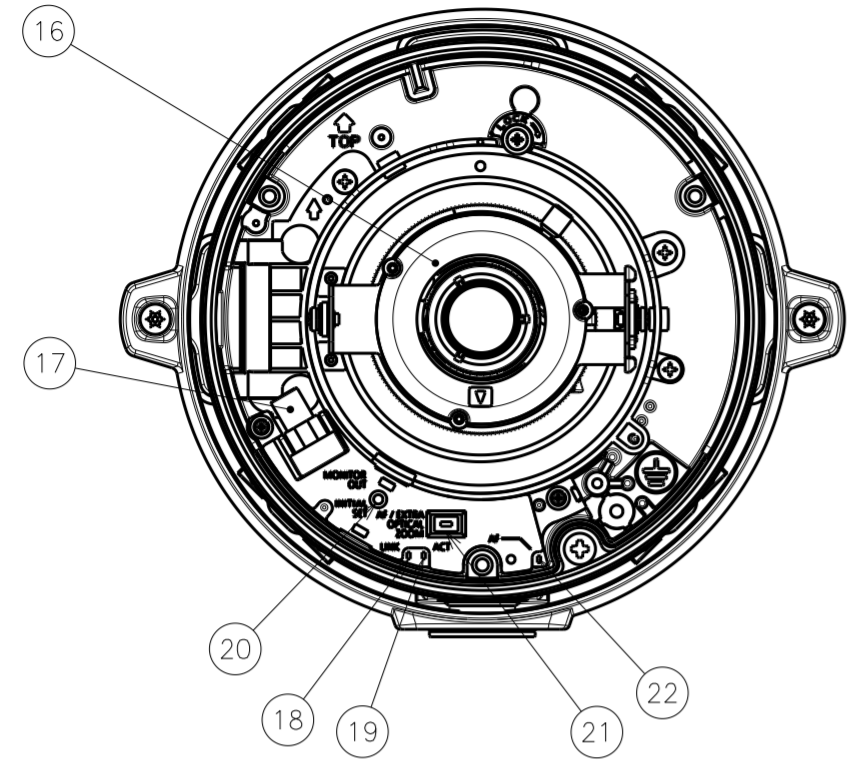


・パナソニックグループ化学物質管理ランク最新版(製品版)を遵守すること。
 URL:http://panasonic.co.jp/eco/topics/suppliers/
 ・Observe the Panasonic Group Chemical Substances Management Rank Guidelines latest version (For Products).
 URL:http://panasonic.net/eco/topics/suppliers/

No.	Part Name	Material	Process/Remark
1	Clear Dome Cover	PC	With a Protection Film
2	Top Cover	Aluminium Alloy Diecasting	
3	Top Cover Lock Screw	Stainless steel	
4	Mounting Base Cover	Aluminium Alloy Diecasting	
5	Mounting Base Cover Lock Screw	Stainless steel	
6	Pipe Hole Cap	PA	
7	Mounting Base Angle	Aluminium Alloy Diecasting	
8	Network Cable		
9	Power Cable		
10	Alarm I/O Cable		
11	Wiring Attention Label	Polyester Film	
12	Name Plate	Polyester Film	
13	FCC/DOC Label	Polyester Film	
14	Serial Number Label	Polyester Film	
15	Code Label		
16	Inner Dome	ABS	
17	MONITOR OUTPUT Jack		
18	Link LED(LINK)		
19	Access LED(ACT)		
20	INITIAL SET Switch		
21	AF Switch(AF)		
22	AF LED		
23	TYPE Label	Polyester Film	

記号	図番又は部品品番	図名又は部品名	数量	材質・寸法	処理・加工	記事
----	----------	---------	----	-------	-------	----



SYM.	DATE	REVISION	SIGNED	CHECKED

Unit:mm

REMARK				MODEL
WEIGHT:Approx.1.6kg				WV-SW558P
SCALE		MATERIAL & SIZE		PROCESS
1:2	DESIGNED Yamauchi 2011/AUG/08	DRAWN Kawamoto 2011/AUG/08	CHECKED	APPROVED
DRAWING/Part NO.				NAME APPEARANCE
REF. NO.				/