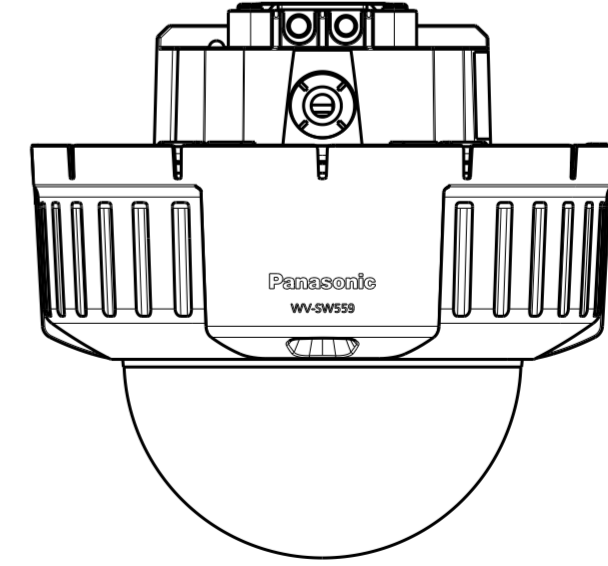
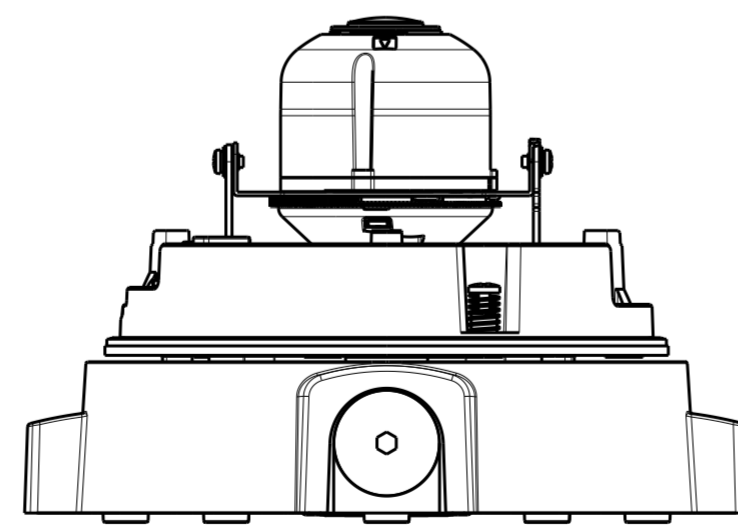
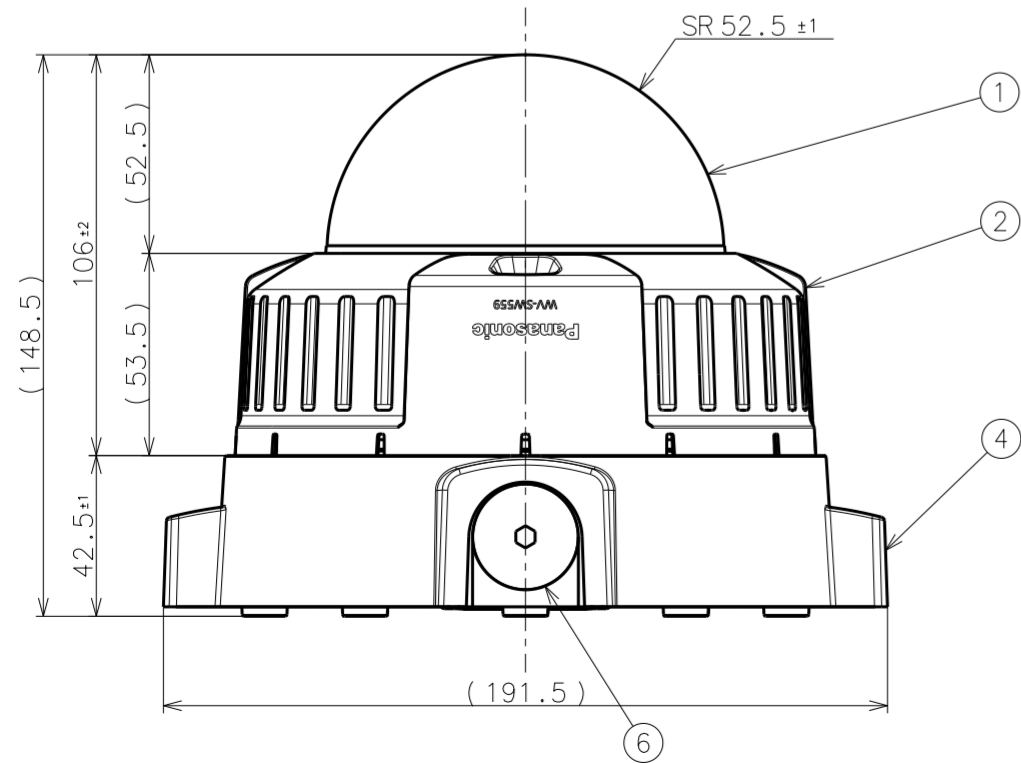
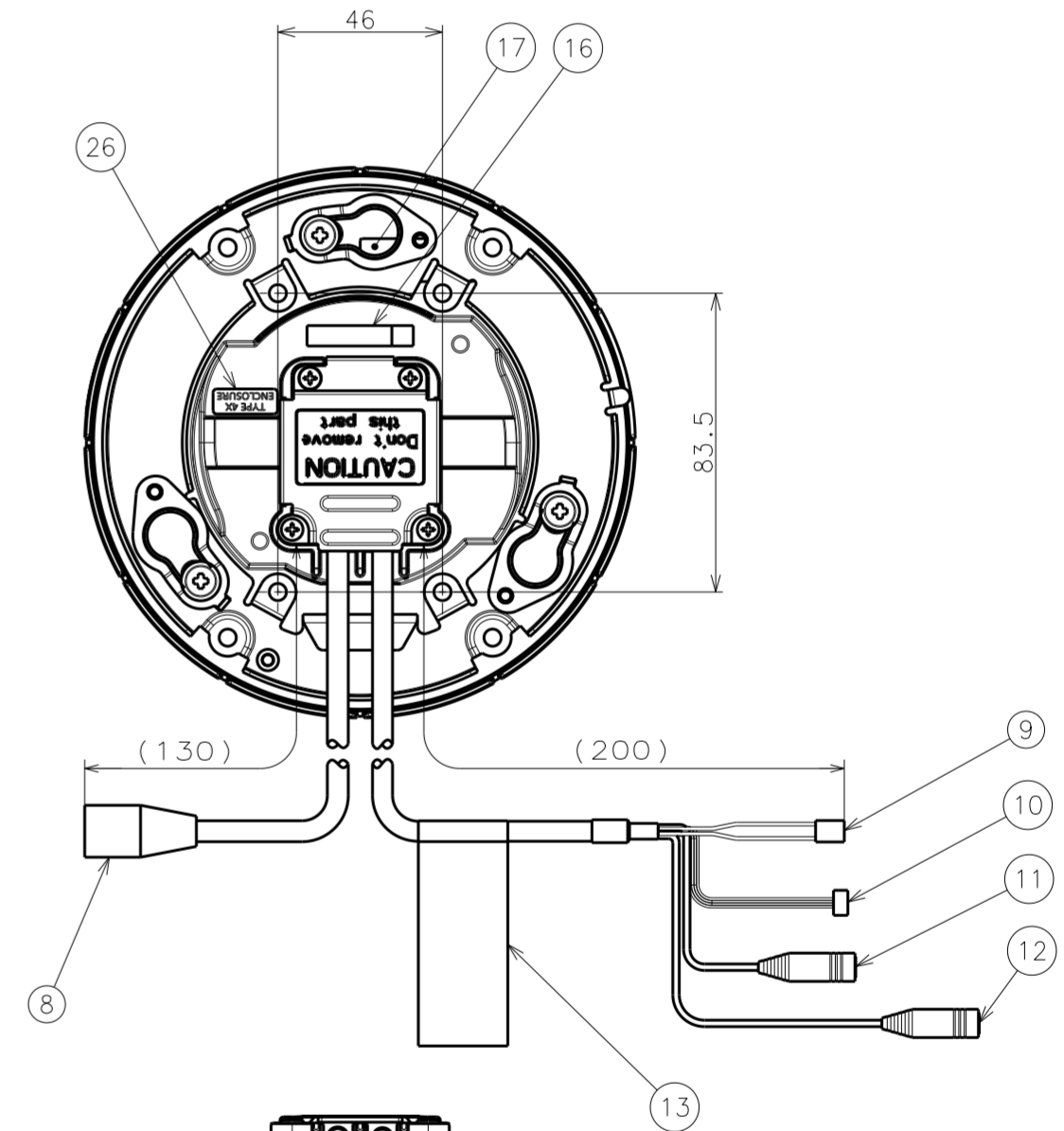
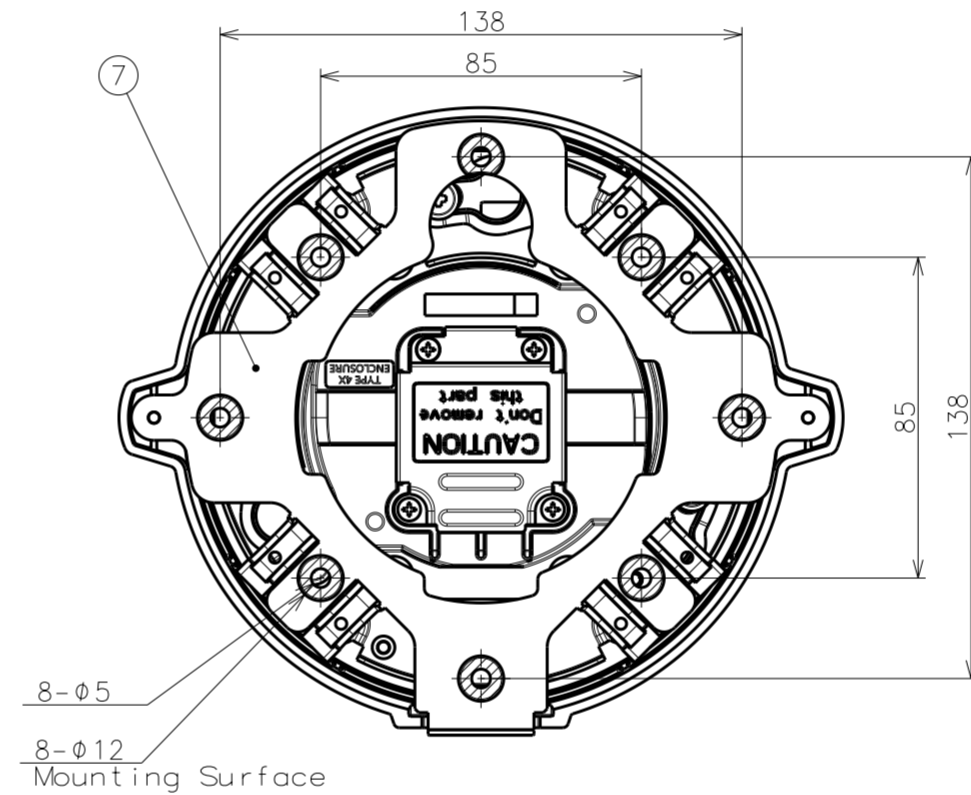
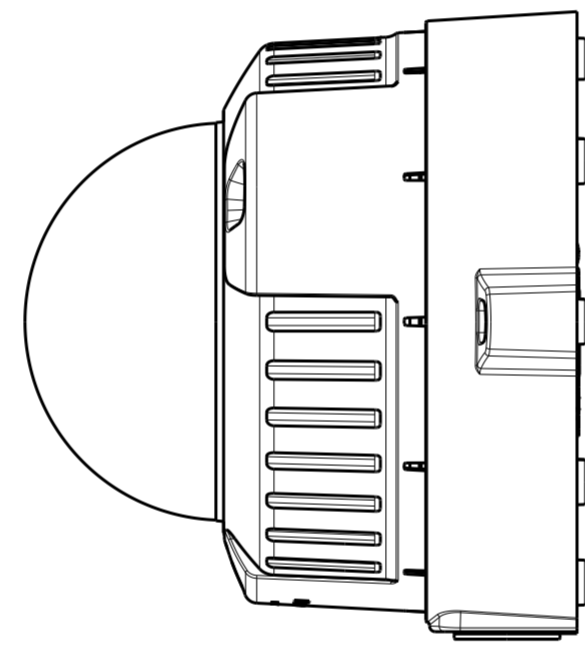
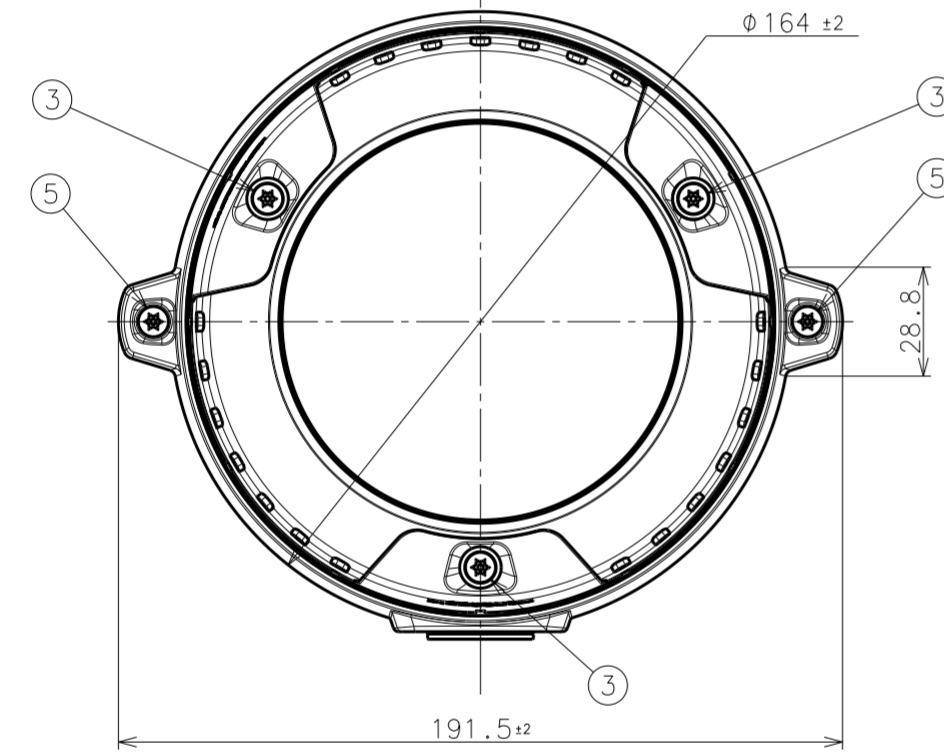
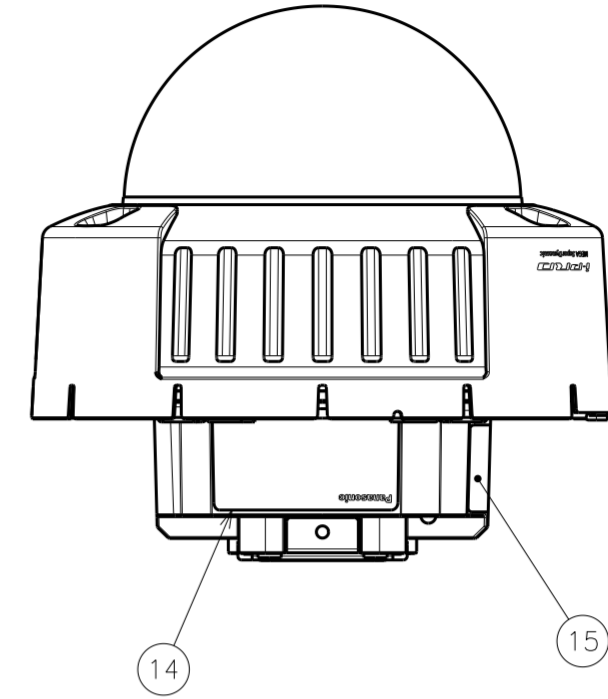
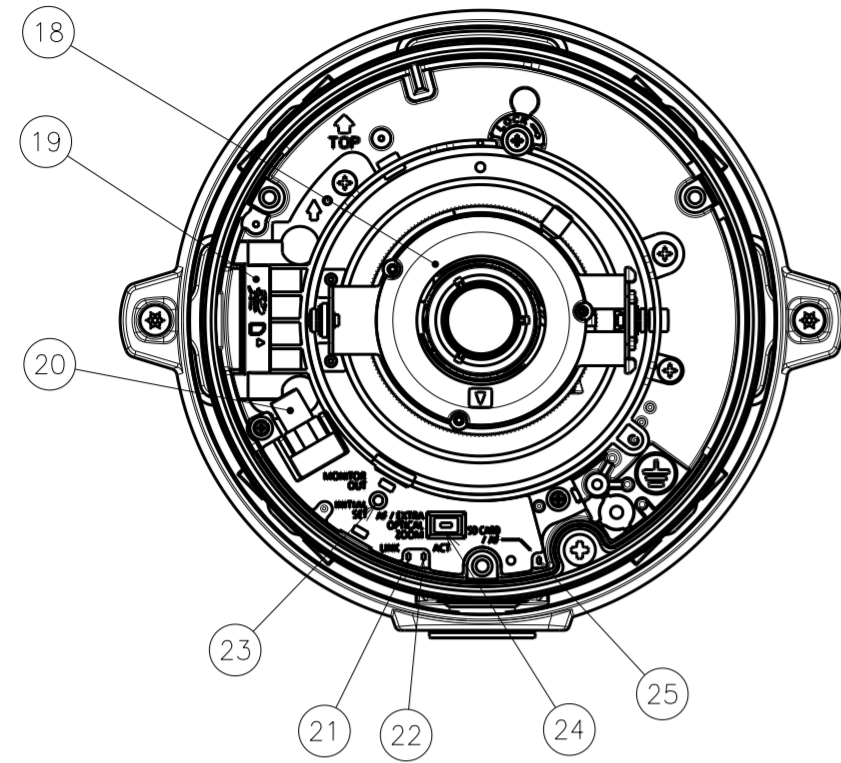


・パナソニックグループ化学物質管理ランク指針最新版(製品版)を遵守すること。  
 URL:http://panasonic.co.jp/eco/topics/suppliers/  
 ・Observe the Panasonic Group Chemical Substances Management Rank Guidelines latest version (For Products).  
 URL:http://panasonic.net/eco/topics/suppliers/

No.	Part Name	Material	Process/Remark
1	Clear Dome Cover	PC	With a Protection Film
2	Top Cover	Aluminium Alloy Diecasting	
3	Top Cover Lock Screw	Stainless steel	
4	Mounting Base Cover	Aluminium Alloy Diecasting	
5	Mounting Base Cover Lock Screw	Stainless steel	
6	Pipe Hole Cap	PA	
7	Mounting Base Angle	Aluminium Alloy Diecasting	
8	Network Cable		
9	Power Cable		
10	Alarm I/O Cable		
11	AUDIO OUTPUT Cable		Black
12	MIC/LINE INPUT Cable		White
13	Wiring Attention Label	Polyester Film	
14	Name Plate	Polyester Film	
15	FCC/DOC Label	Polyester Film	
16	Serial Number Label	Polyester Film	
17	Code Label		
18	Inner Dome	ABS	
19	SD CARD Socket		
20	MONITOR OUTPUT Jack		
21	Link LED(LINK)		
22	Access LED(ACT)		
23	INITIAL SET Switch		
24	AF Switch(AF)		
25	SD CARD / AF LED		
26	TYPE Label	Polyester Film	

記号	図番又は部品品番	図名又は部品名	数量	材質・寸法	処理・加工	記事
----	----------	---------	----	-------	-------	----



SYM.	DATE	REVISION	SIGNED	CHECKED

Unit:mm

REMARK				MODEL
WEIGHT:Approx.1.6kg				WV-SW559P
SCALE		MATERIAL & SIZE		PROCESS
1:2	DESIGNED Yamauchi 2011/AUG/06	DRAWN Kawamoto 2011/AUG/06	CHECKED	APPROVED
DRAWING/Part NO.				NAME APPEARANCE
REF. NO.				/